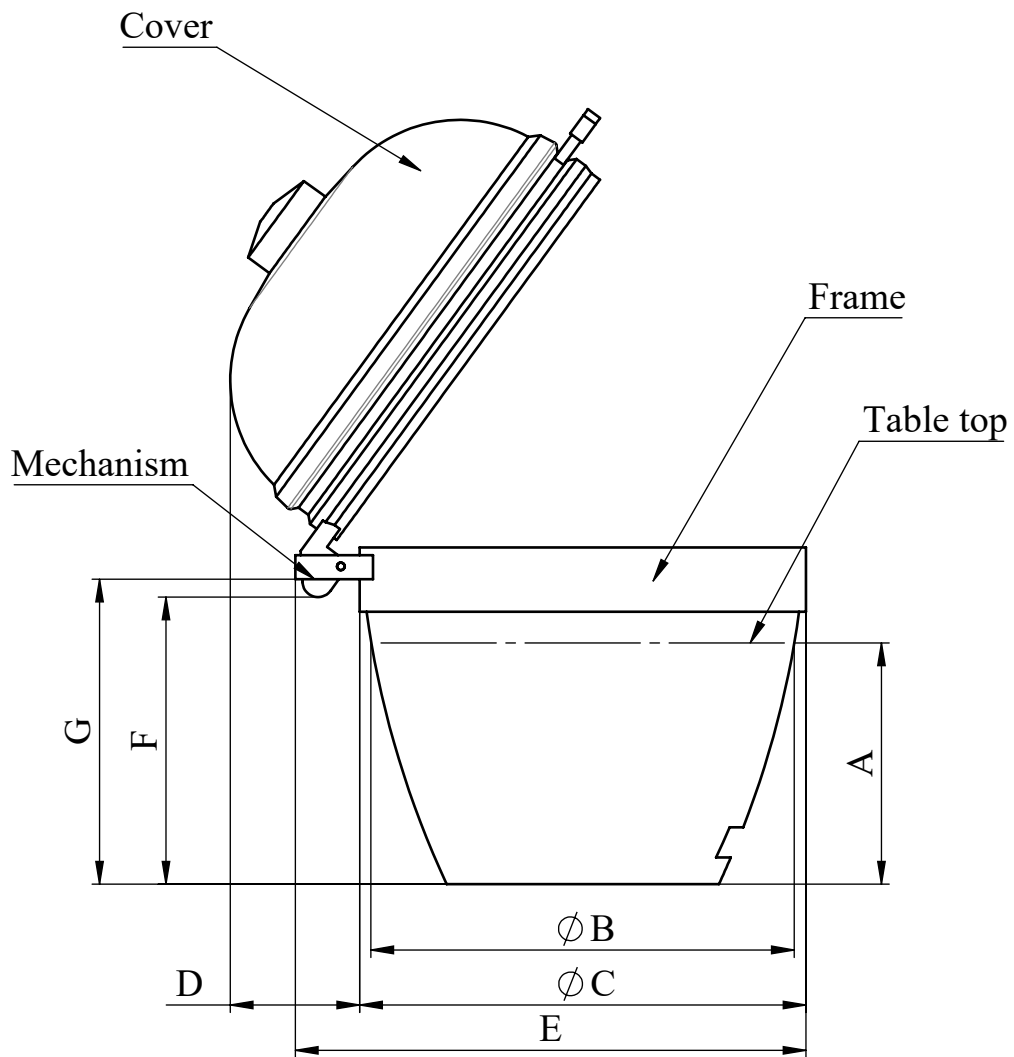


Rev.	Date	ECN	Revised	Revision reason
------	------	-----	---------	-----------------



Position A: dimension to the top of the table;
 Position B: the diameter of the hole in the countertop, adjusted to the diameter of the grill;
 Position C: the diameter of the frame protruding above the top of the table;
 Position D: dimension from the edge of the frame to the furthest position of the open cover;
 Position E: dimension between the outermost positions of the mechanism and the frame when the cover is open;
 Position F: dimension to the mechanism which depends on the position of the cover;
 Position G: dimension to the mechanism when the cover is closed.

		Material	-			Scale	1:10		
Owner KamadoSpace	Created by	G. K. 2021-05-07		Document type	Reference Drawing		Document status RELEASED		
	Checked by			Title	Grill		BX01.200RD		
	Approved by			Revision	Dim.:	Language	Format	Sheet	
				A	mm	EN	A4	1/1	